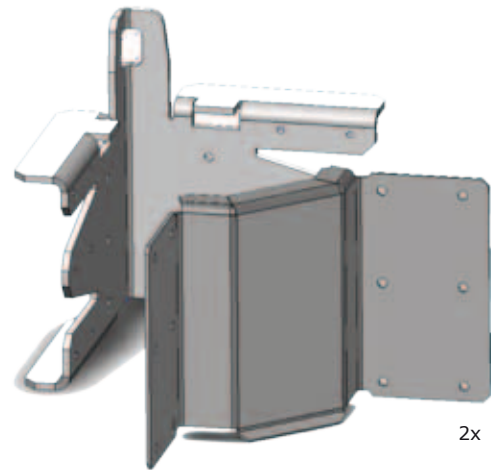


CORNER SET

CORNER PIECES FOR FLEXHOOD

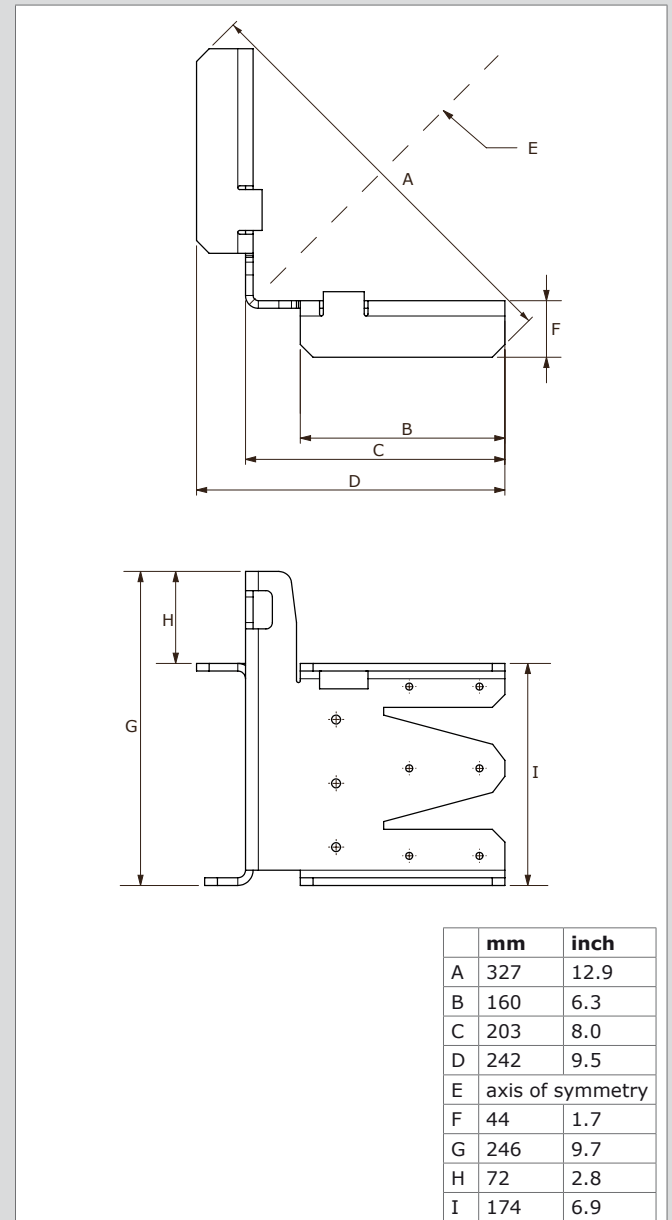
Corner set, being part of a modular extraction hood. The corner set connects the *main frame profiles*. The outside corner piece is provided with an integrated hoisting eye to mount the modular hood to the ceiling.



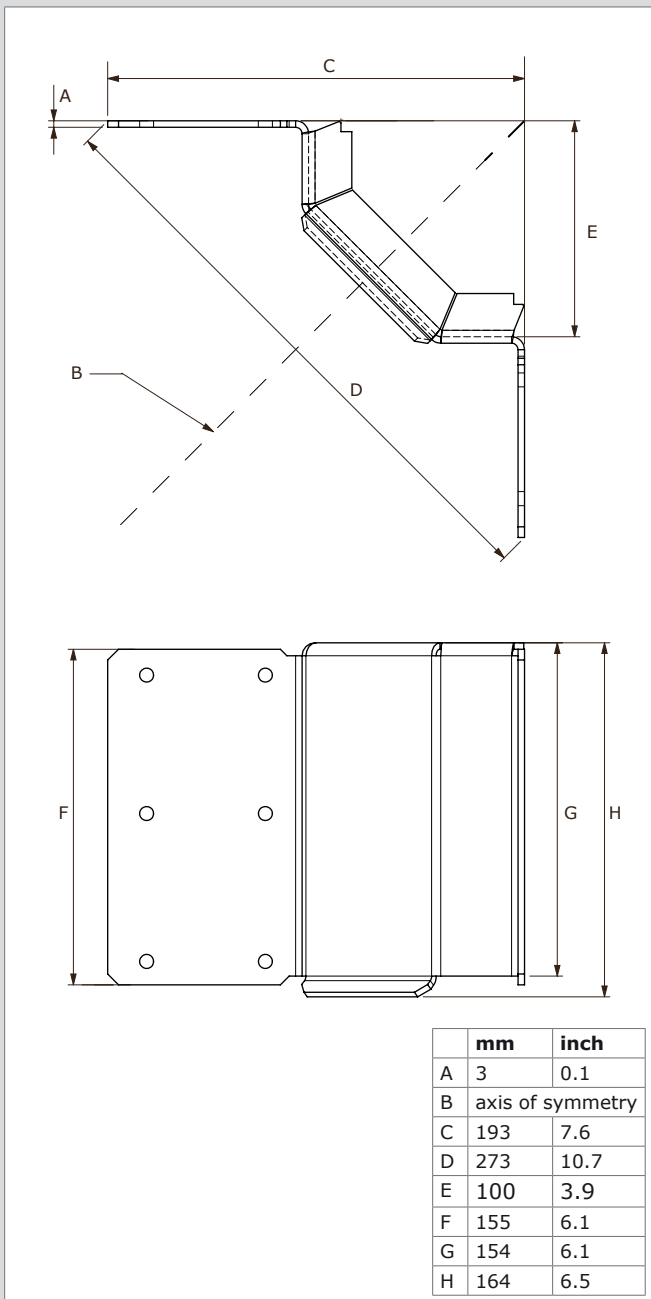
SPECIFICATIONS

■ Physical dimensions and properties	
Material:	<ul style="list-style-type: none"> • outside corner piece • inside corner piece
Colour	natural
Weight (net):	<ul style="list-style-type: none"> • electro-zincd steel • galvanised steel
Weight (net):	<ul style="list-style-type: none"> • outside corner piece • inside corner piece
Weight (net):	<ul style="list-style-type: none"> • 3,9 kg (8.6 lbs) per piece • 1,3 kg (2.9 lbs) per piece
■ Where used	
FlexHood	modular extraction hood; 2 corner sets per hood
■ Scope of supply	
Inside corner piece (2) - Outside corner piece (2) - Self tapping screw 6,3 x 25 (24)	
■ Order information	
Article number	9750000110
Number/package	2 corner pieces - each consisting of an outside and an inside part
■ Shipping data	
Gross weight	11 kg (24.3 lbs)
Packing dimensions	360 x 270 x 280 mm (14.2 x 10.6 x 11.0 in.)
Harmonized Tariff Code	8421.9900.99
Country of origin	the Netherlands

DIMENSIONS



Outside corner piece



Inside corner piece

Product type

Corner set

Article no.

9750000110

Product category

modular extraction hoods

Version

060111/D

Always check the latest version on www.plymovent.com.