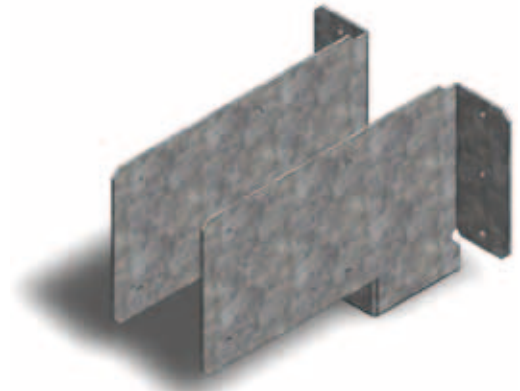


T-BRACKET SET

T-BRACKETS FOR MODULAR HOOD

T-bracket set, to be used in modular extraction hoods larger than 2 m width, which are composed of 2 or 3 rows of roof plates. These rows are interconnected by two main frame profiles, which are connected to the outer profiles by a T-bracket at each side.

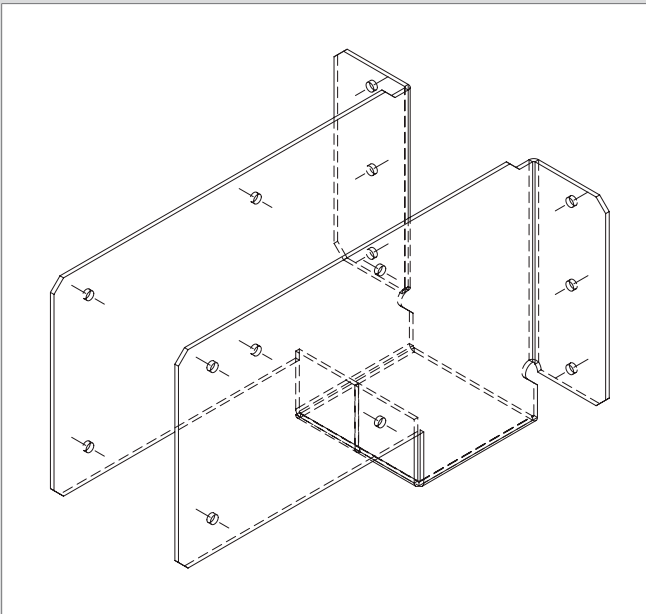


2x

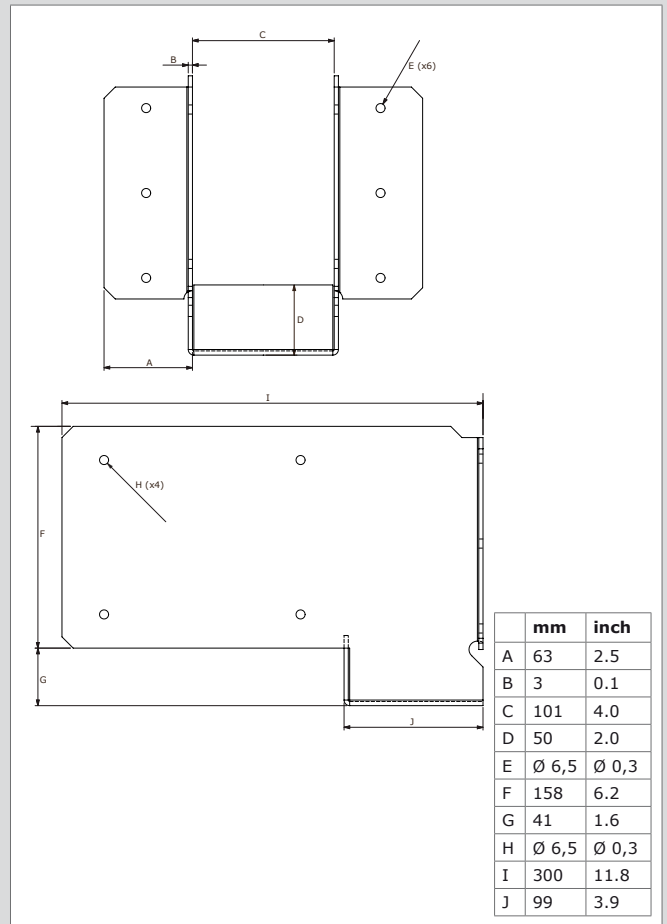
SPECIFICATIONS

■ Physical dimensions and properties	
Material	zinc-plated steel
Colour	natural
Weight (net)	3,2 kg (7.1 lbs) per piece
■ Where used	
Modular extraction hood XL	hood width >2 m
■ Scope of supply	
T-bracket (2) - Self-tapping screw 6,3 x 25 (28)	
■ Order information	
Article number	9750000030
Number/package	set of 2
■ Shipping data	
Gross weight	7 kg (15.4 lbs)
Packing dimensions	365 x 240 x 225 mm (14.4 x 9.4 x 8.9 in.)
Harmonized Tariff Code	8421.9900.99
Country of origin	the Netherlands

TRANSPARENT VIEW



DIMENSIONS



Product type

T-bracket set

Article no.

9750000030

Product category

modular extraction hood XL

Version

181110/A

Always check the latest version on www.plymovent.com.