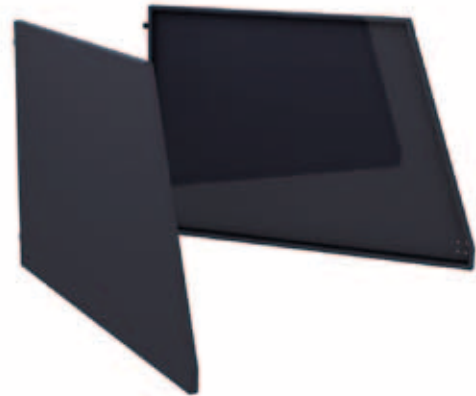


## SIDE PANELS

### SIDE PANELS FOR DOWNDRAFT TABLE

Side panels improve the extraction effectiveness by reducing the influences of draught. They also prevent tools, metal and other parts to fall off the downdraft table. They are swivable to accommodate large workpieces.

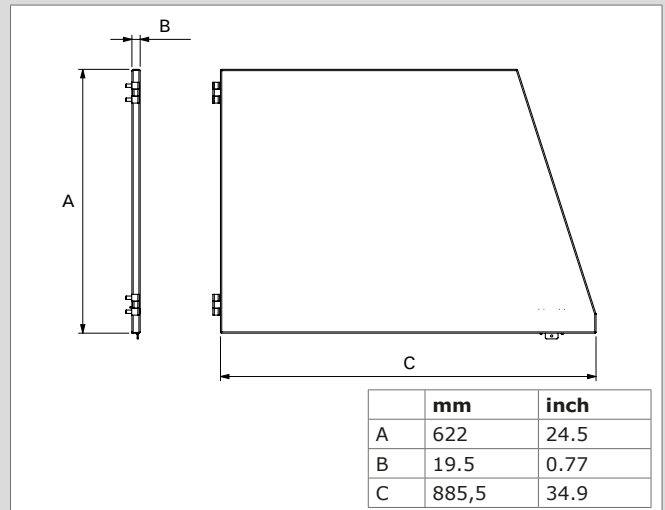
The side panels consist of hinged trapezium-shaped sheet metal plates and have to be used in combination with the backdraft kit or back panel. They are to be mounted on the sides of the downdraft table.



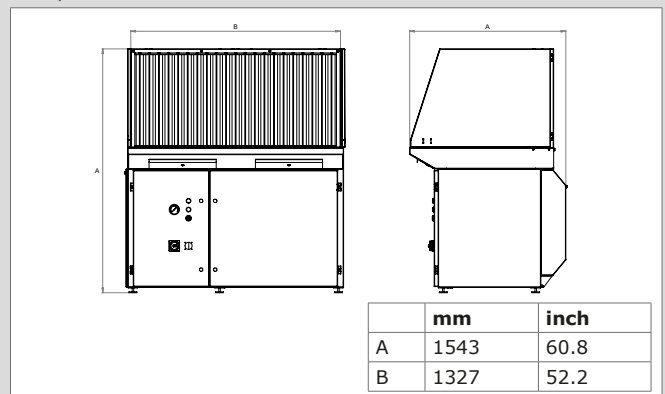
#### SPECIFICATIONS

■ Physical dimensions and properties	
Material	sheet metal
Colour	black RAL 9005 (gloss level 85%)
Weight (net)	14,5 kg (32 lbs)
■ Product combinations	
DraftMax Basic	downdraft table with disposable filter (with back panel or backdraft kit)
DraftMax Advance	downdraft table with manual self-cleaning filter (with back panel or backdraft kit)
DraftMax Ultra	downdraft table with automatic self-cleaning filter (with back panel or backdraft kit)
■ Scope of supply	
Left side panel - Right side panel	
■ Order information	
Article number	0040200030
Number/package	1 set
■ Shipping data	
Gross weight	15,5 kg (34.2 lbs)
Packing dimensions	960 x 640 x 55 mm (37.8 x 25.2 x 2.2 in.)
Harmonized Tariff Code	8421.39.2090
Country of origin	the Netherlands

#### DIMENSIONS



Side panel



Downdraft table with backdraft kit and side panels (front view)

Product type	Side panels
Article no.	0040200030
Product category	options and accessories
Version	020312/D

Always check the latest version on [www.plymovent.com](http://www.plymovent.com).